

WORKSTATION

HEIDELBERG (CAMBRIDGE)

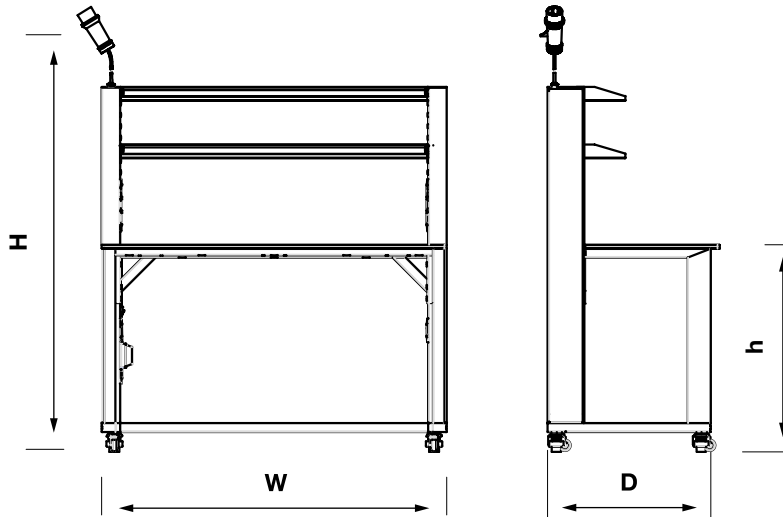
Timeless, adaptable & *versatile*.



Timeless, adaptable & versatile.



Scan the QR code to see this product on our website or [click here](#)



W (width, mm)	D (depth, mm)	h (worktop height, mm)	H (column height, mm)
1500	750 / 900	900 / 750	1570 / 1800
1200	750 / 900	900 / 750	1570 / 1800
900	750 / 900	900 / 750	1570 / 1800

Max recommended load - 400 kg

Power supply side can be switched left to right and viceversa. Check [accessories pages](#) to see how shelves can be added, removed and changed position.

- **Underbench shelf** available.
- **Gas taps** can be attached to column.
- Some **other options** available.
- In addition, **special accessory attachments** can be design and manufactured on demand.

Main frame fully welded steel, epoxy coated 9010 (check other options) with M5 nuts below worktop for accessories and attachments.

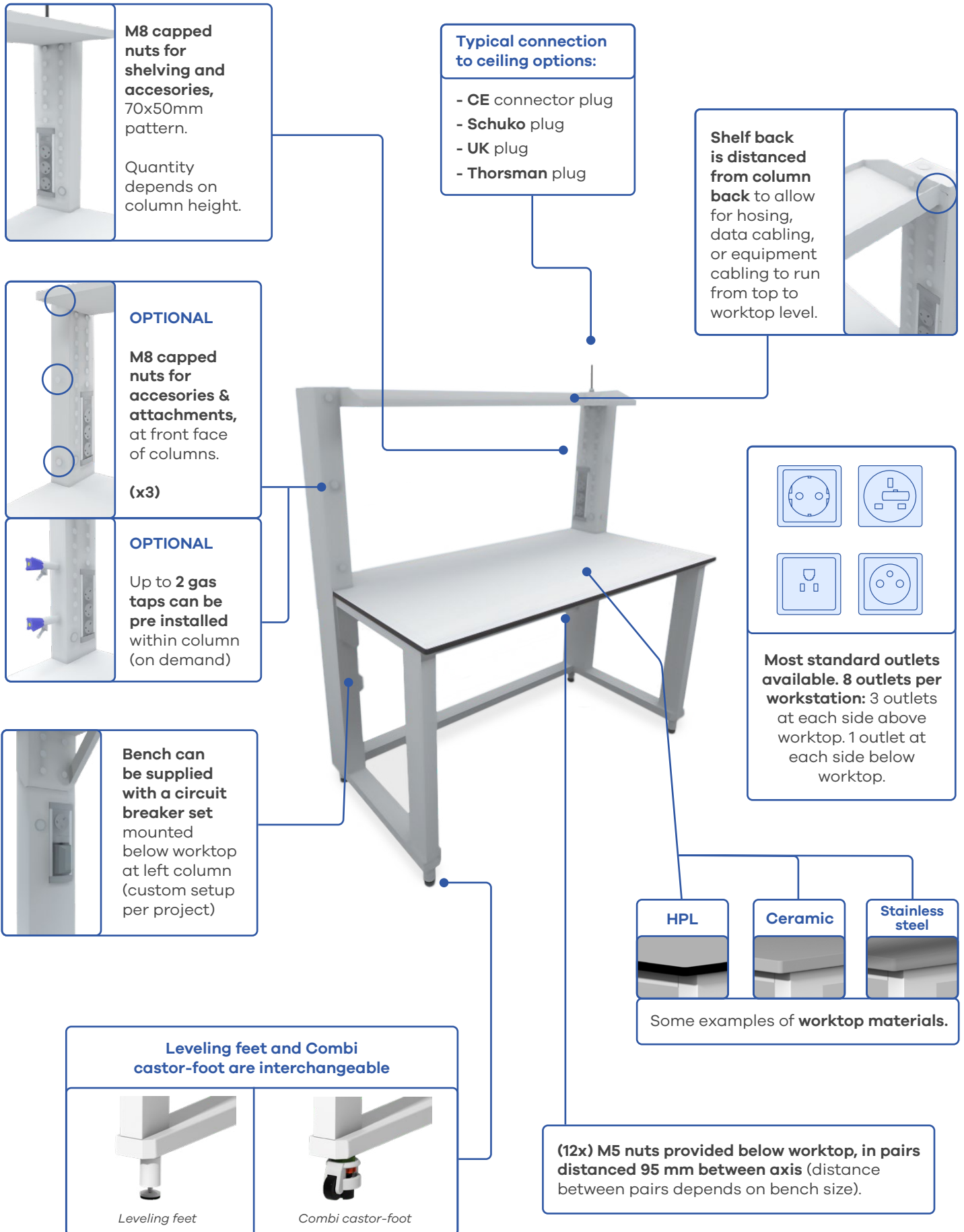
Columns manufactured from metal sheet, magnetic covers, all joints rubber-sealed. Top covers removable allows for different combinations. Epoxy coated 9010 (check other options) with M8 nuts at internal faces for accessories. Nuts in front faces as an option.

Worktop material on demand. Advised HPL 16 mm high chemical resistance.

Feet, articulated with rubber base, interchangeable with combi castor-foot.

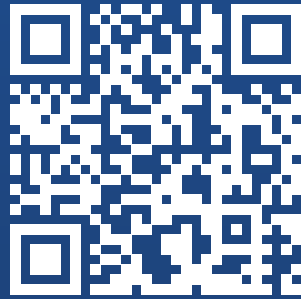
Data setup on demand, advised to be magnet clip-routed.

Electrical setup 8 power sockets installed (3 each side above worktop). **Circuit breaker** setup on demand .



Technical Data Sheets

Visit our
website for
more info



www.ibr-innovasystem.com

Contact us at: hello@ibr-innovasystem.com

